

SOLUTION **PIKIP VELOMA**

DATASHEET

OPTIMAL USE

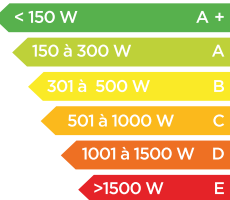
Moving Gigs
Pop Up
Public speaking
Move on site
Parade

OUTDOOR

**UP TO
1000 PEOPLE**

218 w

For 102 dBA
equivalent*



MOBILITY

Bike-towed energy self-sufficient speaker

POWER GENERATOR

Enjoy solar generated power riding or on site

INTEGRATED SOLAR PANELS

Continuous charge - retractable

MOTORIZED TRAILER

Inertia braking and controller - up to 300kg

TOTAL WIDTH INFERIOR TO 1M

Compatible with any street

ACOUSTIC FEATURES

- Full range, stand alone enclosure
- Hybrid acoustic loading: LF horn + vented enclosure, HF fully horn loaded
- reinforced 15mm birch plywood
- Wide homogeneous covering area
- Textured polyurethan finish

FREQUENCY RESPONSE (+/-3dB)	45-20000Hz
CONTINUOUS POWER HANDLING	1540W (nominal program power capacity + 3dB)
ACOUSTIC EFFICIENCY	218 W (for 102dBA equivalent*)
MAX SPL	132dB SPL (@1m, pink noise 6dB crest factor)
NOMINAL COVERAGE ANGLE (H° X V°) -6 dB	60° x 40°
TRANSDUCERS	VDS115 : 1x neodymium high output driver 15'' MT1 : 1x compression driver 2'' + 2 x bullet 1,25''

INTEGRATED AMPLIFIER & DSP FEATURES

- Patented DUAL ARCHITECTURE POWER SUPPLY technology by PikiP
- Amplifier class D with integrated DSP
- 2 XLR analog input
- SPEAKON per channel - minimum impedance 4ohm each
- Protection over-under voltage
- Protection Peak and RMS limiters customizable
- 4 acoustic presets provided (custom preset option available)
- Fully configurable with ArmoniaPlus

OUTPUT POWER (EIAJ 1kHz, 1% THD)	2x500Wrms @4ohms
GAIN	26dB
FREQUENCY RESPONSE (+/-1dB)	20Hz - 33kHz @1W, 8ohms
SIGNAL-TO-NOISE RATIO	>113dB
INPUT SENSITIVITY (8 ohms)	1,7 dBU
INPUT IMPEDANCE	10k ohms
THD+N	<0,08 from 0,1W to half power
OPERATING TEMPERATURE	0°C to 40°C / Active fan

ENERGY SYSTEM FEATURES

- Converter - Regulator - Battery MADE IN E.U. / certificate TÜV / ISO 9001
- DC and AC output for external electrical musical device (mixing desks, turntables)
- 3x SCHUKO plugs protected by 30mA RCCB
- State of charge controller for real time consumption and autonomy monitoring
- Bluetooth connection

AC OUTPUT	500VA - 900Wc
DC OUTPUT	48V - 50A max / 100A crête (15 s.)
STORAGE	2400Wh LiFePO4
AUTONOMY (NO SUN)	20h - full amplifier power 8h - full amplifier power + artists power supply 50km & 6h sound parade

RECHARGING FEATURES

- 2x100Wc Photovoltaic power supply with steel structure / MADE IN E.U. / certificate TÜV / ISO 9001
- POWERWIST socket for solar panel charge
- POWERCON socket for main charge
- Long life battery algorithm (Bulk - Absorption - Floating)

CHARGE	VERSION	SOLAR	MAIN
	VELOMA 1200	6h*	4h

* Sunny day in Europe, 46°00'N.

STRUCTURE

TRAILER

- Stainless steel welded trailer 304 or 316
- 3 wheels 20" steel axle 15mm / spoke 13g / rim Kargo mach 1 (french made)
- Electric motor 1200W - 48V
- Ball joint universal saddle tie / aluminium mudguard
- Hand V-Brake / Stainless steel brakes
- Non-slip wooden platform

DIMENSIONS (LXPXH)mm	1000x2360x730
WEIGHT	30kg
MAXIMUM CHARGE	300kg

ACOUSTICS

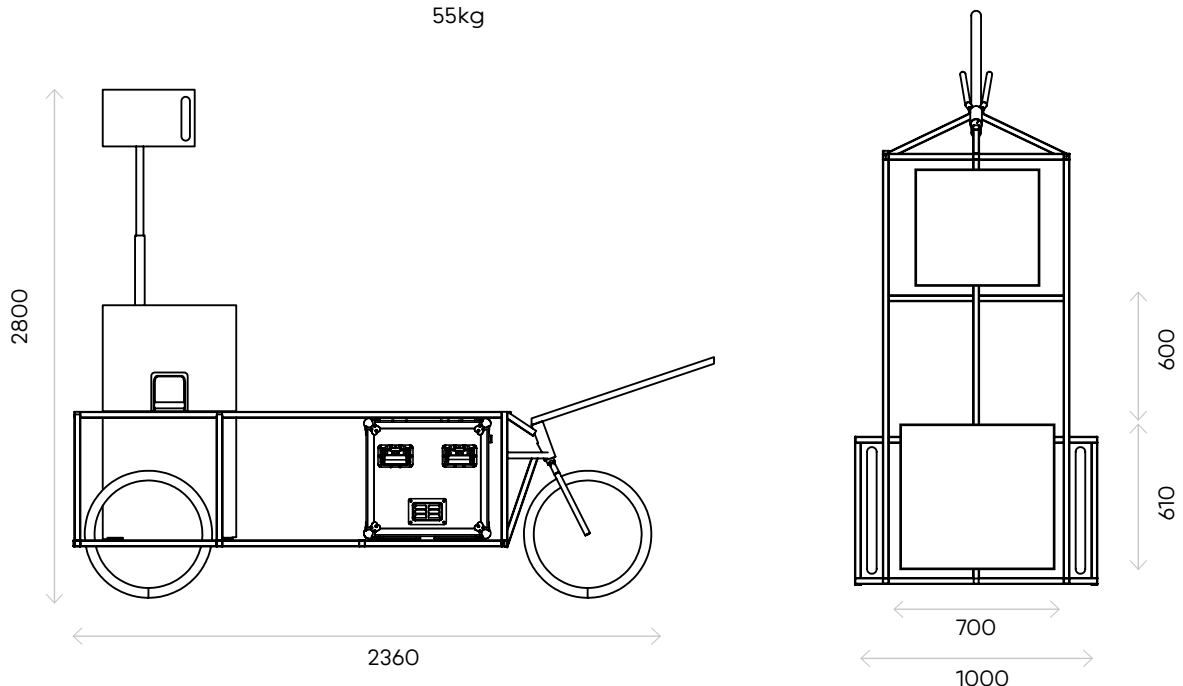
- MT-1 stacked onto Woofer VDS-T
- 2 steel standing poles

DIMENSIONS (LXPXH)mm	Stacked : 680x610x1970 Separate : 680x610x950 & 680x370x230
WEIGHT	65kg each column (48kg VDS-T / 14kg MT-1)

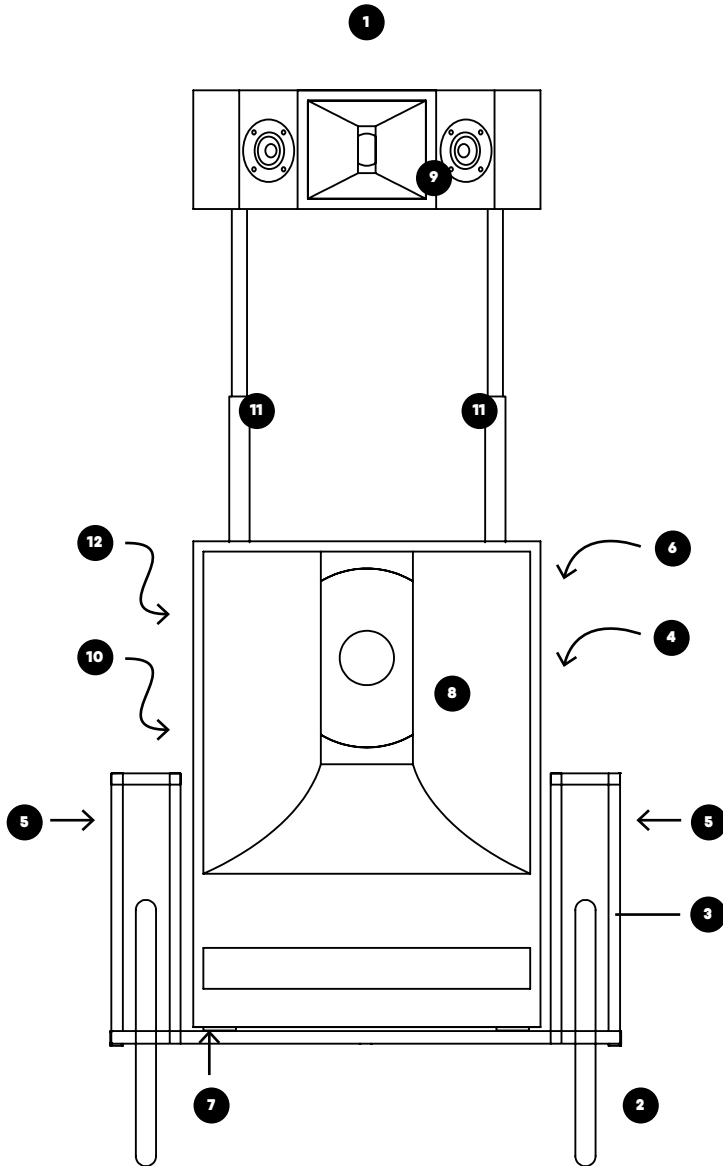
AEA

- Rack shock proof
- Standard 10U
- 4 wheels (2 equipped with brakes)
- Double handles / reinforced corners / ventilation grille / lockable sliding cover

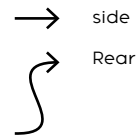
DIMENSIONS (LXPXH)mm	600 x 555 x 805
WEIGHT	55kg



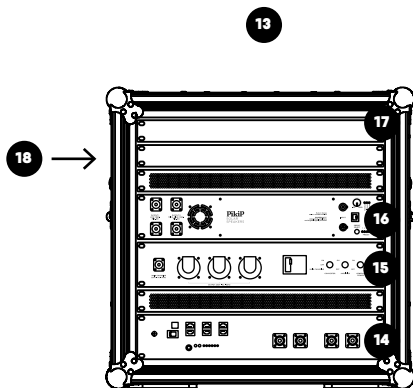
3/5

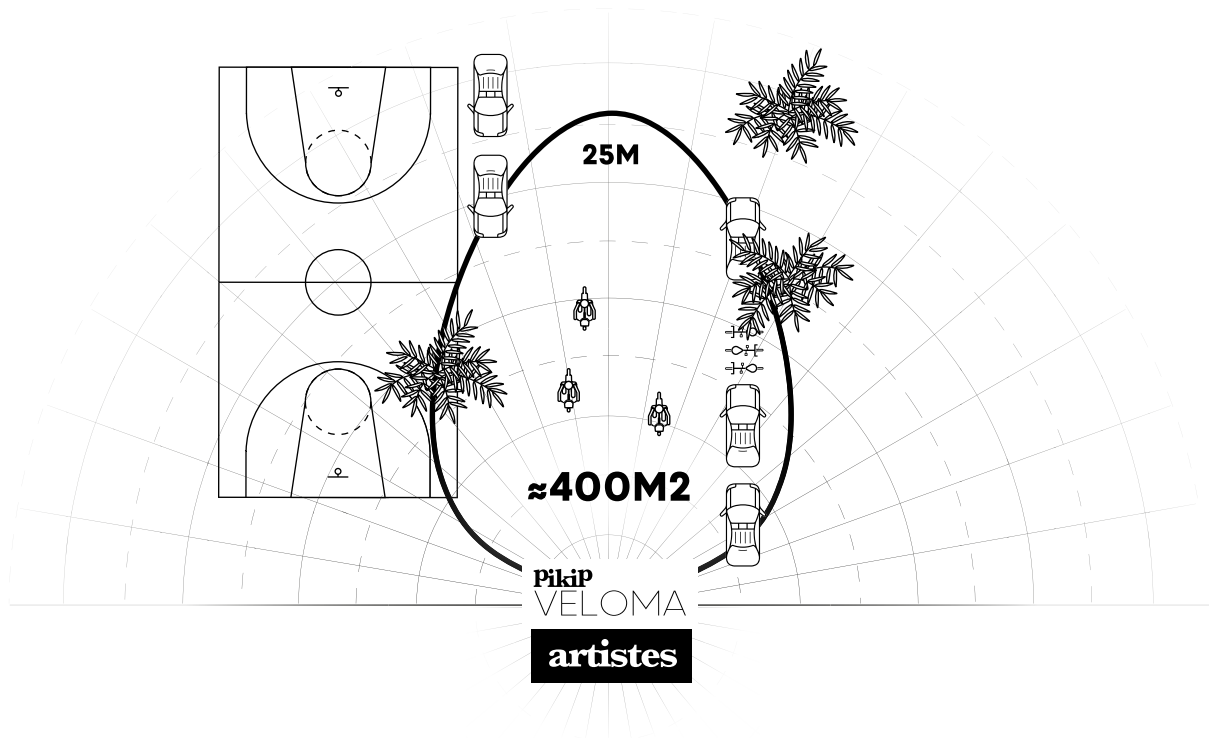


- 1 Column Lite
- 2 Reinforced wheels 14''
- 3 Stainless steel trailer
- 4 1200W motor
- 5 Solar panel x2
- 6 Ball joint universal saddle tie
- 7 Non-slip wooden platform
- 8 Low frequency transducer (VDS-T)
- 9 Medium & high frequency transducer (MT-1)
- 10 SPEAKON INPUT
- 11 Locking pins
- 12 Solar panel plug
- 13 AEA module (cf datasheet AEA)
- 14 Battery drawer 2U
- 15 Energy drawer 2U
- 16 Amplifier drawer 2U
- 17 Free drawer 3U
- 18 Energy monitoring



AEA
Plus de detail
Fiche technique AEA





ACOUSTIC EFFICIENCY LABEL

*The figure given represents the electrical power dissipated by the speaker to generate over its bandwidth a sound level equivalent to 102 dBA with a pink noise input. For calculation purposes, the speaker is considered being part of an equalized system with absolutely flat response from 20 Hz to 20 kHz.

The calculation method is linear and does not take into account high power non-linear phenomena. Calculation details are available in the paper *Quantifying Loudspeakers' Power Consumption*, published in the AES journal (July/August 2022, Vol 70 no 7/8).



PASSIVE SPEAKERS



*The figure given represents the electrical power dissipated by the speaker to generate over its bandwidth a sound level equivalent to 102 dBA with a pink noise input. For calculation purposes, the speaker is considered being part of an equalized system with absolutely flat response from 20 Hz to 20 kHz.

The calculation method is linear and does not take into account high power non-linear phenomena. Calculation details are available in the paper *Quantifying Loudspeakers' Power Consumption*, published in the AES journal (July/August 2022, Vol 70 no 7/8).