

SOLUTION PIKIP BOOTH

DATASHEET

OPTIMAL USE

DJing
Off stage
Pop Up
...
OUTDOOR

**UP TO
1000 PEOPLE**

115 w

For 102 dBA
equivalent*

< 150 W	A +
150 à 300 W	A
301 à 500 W	B
501 à 1000 W	C
1001 à 1500 W	D
>1500 W	E



ALL-IN-ONE SYSTEM

Energy, amplification and speakers in a single body.

QUICK AND EASY SET-UP

5 minutes installation

DJ BOOTH INCLUDING MONITORING

Large surface for extra equipment (mixing desks, turntables...)

ALL TERRAIN

Mobile and easily transportable

Pikip
BOOTH

ACOUSTIC FEATURES

- Full range, stand alone enclosure
- Hybrid acoustic loading: LF horn + vented enclosure, HF fully horn loaded
- Birch plywood reinforced 15mm
- 2-way active (1 way low-end + 2 way passive high-end)
- Wide covering angle
- Textured polyurethan finish

FREQUENCY RESPONSE (+/-3dB)	40-20000Hz
CONTINUOUS POWER HANDLING	FRONT 2540 W / RTN 330 W (nominal program power capacity + 3dB)
ACOUSTIC EFFICIENCY	115 W (for 102dB equivalent*)
MAX SPL	138dB SPL (@1m, pink noise 6dB crest factor)
NOMINAL COVERAGE ANGLE (H°X V° / -6dB)	100° x 40°
TRANSDUCERS	VDS215 : dual 15" neo driver MT1 : 1x compression 2" driver + 2 x bullet 1,25"

*The figure given represents the electrical power dissipated by the speaker to generate over its bandwidth a sound level equivalent to 102 dBA with a pink noise input. For calculation purposes, the speaker is considered being part of an equalized system with absolutely flat response from 20 Hz to 20 kHz. The calculation method is linear and does not take into account high power non-linear phenomena. Calculation details are available in the paper Quantifying Loudspeakers' Power Consumption, published in the AES journal (July/August 2022, Vol 70 no 7/8).

INTEGRATED AMPLIFIER & DSP FEATURES

- Patented DUAL ARCHITECTURE POWER SUPPLY technology by PikiP
- Class D amplifier with integrated DSP
- 2 XLR analog inputs
- 2 SPEAKON output for Auxiliary - minimum impedance 8ohm each
- Protection over-under voltage
- Protection Peak and RMS limiters customizable
- 4 acoustic presets provided
- Fully configurable with SIGMA STUDIO

OUTPUT POWER (EIAJ 1kHz, 1% THD)	3 channels / 700Wrms + 350Wrms + 350Wrms @ 4ohms
GAIN	32dB
FREQUENCY RESPONSE (+/-3dB)	10Hz - 20kHz @1W, 8ohms
SIGNAL-TO-NOISE RATIO	>113dB
INPUT SENSITIVITY (8 ohms)	1,7 dBu
INPUT IMPEDANCE	10K ohms
THD+N	<0,05 from 0,1W to full power
OPERATING TEMPERATURE	0°C To 40°C / Active fan

ENERGY SYSTEM FEATURES

- Converter - Regulator - Battery MADE IN E.U. / certificate TÜV / ISO 9001
- DC and AC output for external electrical musical device (mixing desks, turntables)
- SCHUKO plug protected by 30mA RCCB
- State of charge Controller for real time consumption and autonomy monitoring
- Bluetooth connection

AC OUTPUT	375VA - 700Wc (230 / 110V)
DC OUTPUT	24V - 15A max
STORAGE	2160Wh Recycled lead
AUTONOMY (NO SUN)	45h - full amplifier power 10h - full amplifier power + artists power supply

RECHARGING FEATURES

- 320Wc Photovoltaic power supply in board / MADE IN E.U. / certificate TÜV / ISO 9001
- Long life battery algorithm (Bulk - Absorption - Floating)
- Rechargeable on main grid (optional)

SOLAR CHARGING (10 TO 100%)	6h*
MAIN CHARGING (10 À 100%)	10h

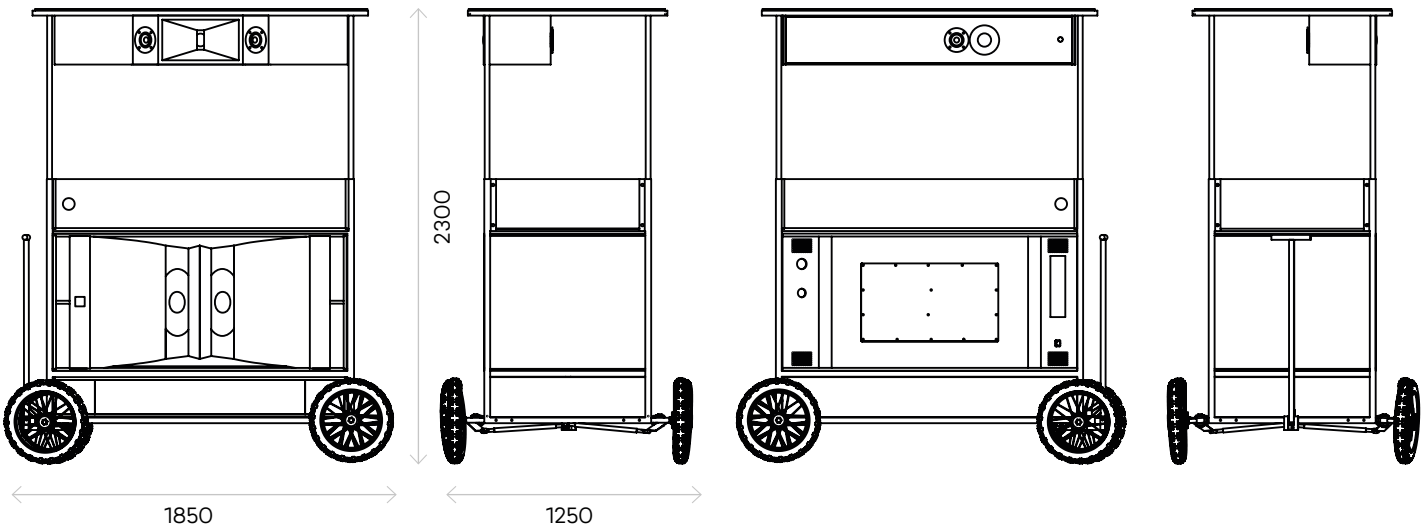
* Sunny day in Europe, 46°00'N.

STRUCTURAL FEATURES

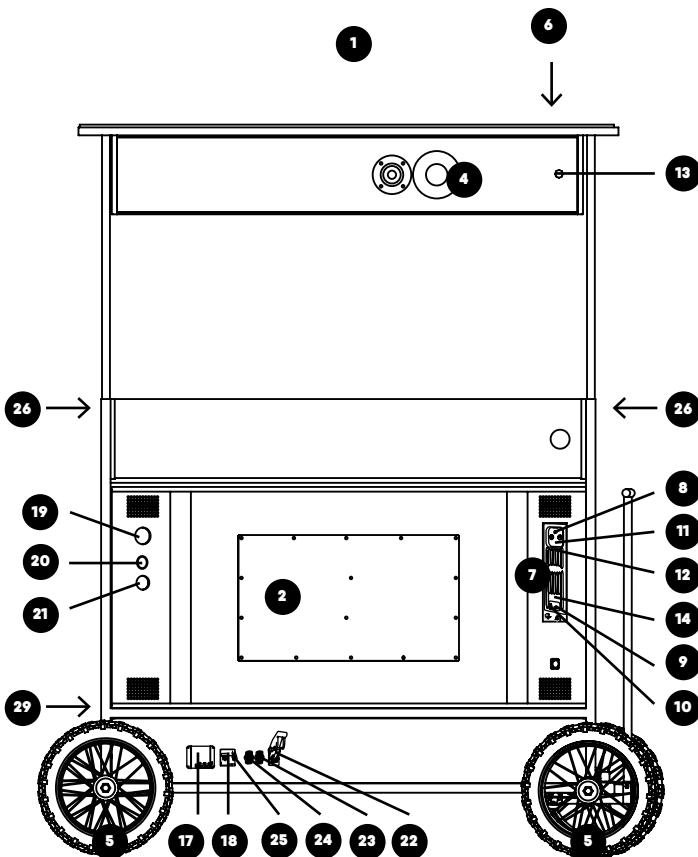
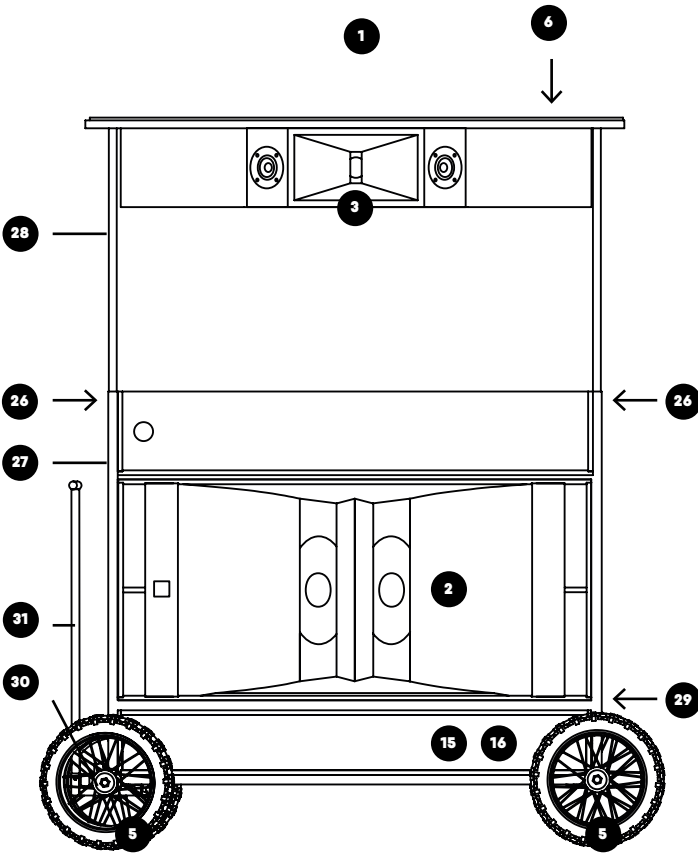
- Telescopic structure with locking pin
- Epoxy finish and treated steel exterior
- 10 inches wheels - 2 directional wheels with reinforced axle and drawbar
- DJ Platform : 1470 x 480mm
- Technical compartment under key
- Opening assistance with jacks (optional)

DIMENSION (LXDXH)mm	Close : 1850 x 1250 x 1460 Open : 1850 x 1250 x 2300
----------------------------	---

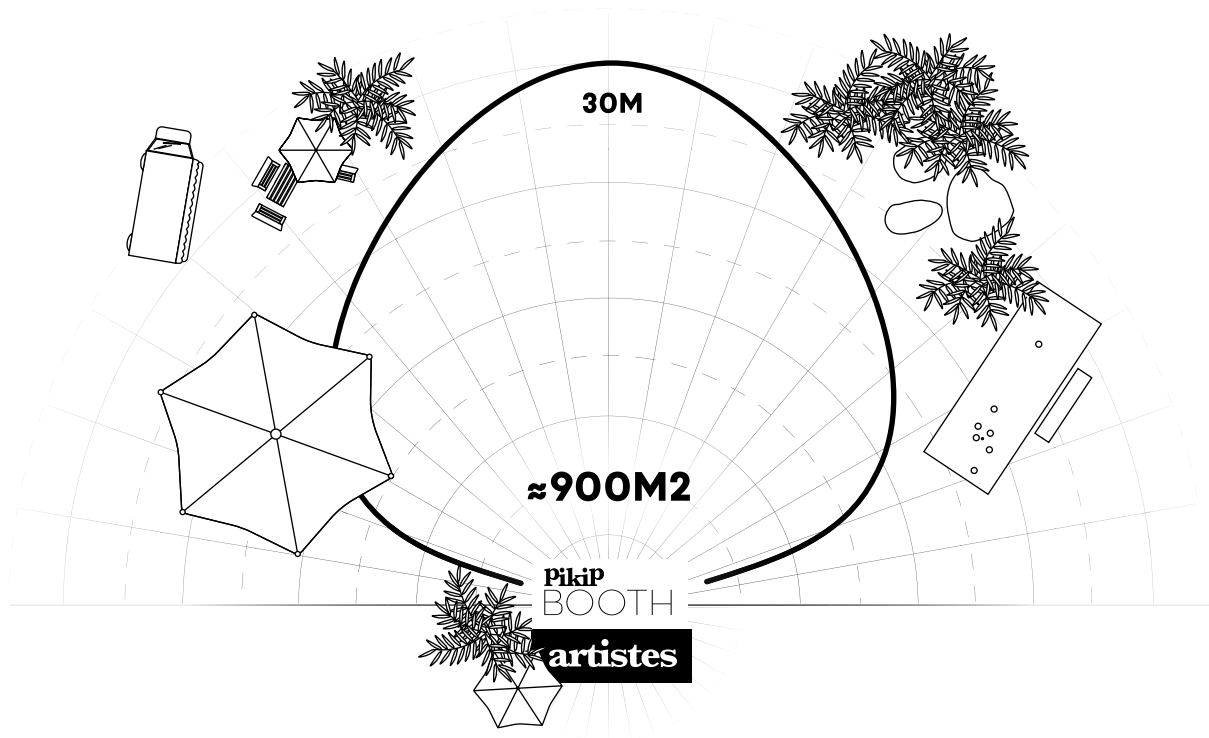
WEIGHT	320 kg
---------------	--------



INTERFACE UTILISATION



- 1 Pikip-Booth (system)
- 2 Low frequency transducers (WOOFER)
- 3 Medium and high frequency transducers
- 4 Monitoring
- 5 Wheels
- 6 Solar pannels
- 7 Amplifier
- 8 Main level control
- 9 Monitoring level control
- 10 Monitoring on/off
- 11 Lights (signal / clip / preset)
- 12 XLR IN x2
- 13 SPEAKON IN
- 14 SPEAKON OUT x2
- 15 Energy
- 16 AC/DC convertor
- 17 Regulator
- 18 24V DC output circuit breaker (15A)
- 19 Energy monitoring
- 20 24V DC output (360W max)
- 21 230V AC output (375W max)
- 22 Main switch
- 23 Amplifier switch
- 24 Converter switch
- 25 30mA RCCB
- 26 Locking pin
- 27 Lower chassis
- 28 Upper chassis
- 29 Traction ring
- 30 Directional axle
- 31 Drawbar



ACOUSTIC EFFICIENCY LABEL

*The figure given represents the electrical power dissipated by the speaker to generate over its bandwidth a sound level equivalent to 102 dBA with a pink noise input. For calculation purposes, the speaker is considered being part of an equalized system with absolutely flat response from 20 Hz to 20 kHz.

The calculation method is linear and does not take into account high power non-linear phenomena. Calculation details are available in the paper *Quantifying Loudspeakers' Power Consumption*, published in the AES journal (July/August 2022, Vol 70 no 7/8).



PASSIVE SPEAKERS



*The figure given represents the electrical power dissipated by the speaker to generate over its bandwidth a sound level equivalent to 102 dBA with a pink noise input. For calculation purposes, the speaker is considered being part of an equalized system with absolutely flat response from 20 Hz to 20 kHz.

The calculation method is linear and does not take into account high power non-linear phenomena. Calculation details are available in the paper *Quantifying Loudspeakers' Power Consumption*, published in the AES journal (July/August 2022, Vol 70 no 7/8).