

SOLUTION PIKIP STAGE

DATASHEET

OPTIMAL USE

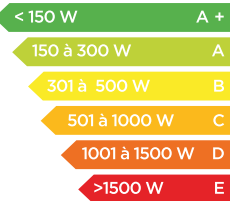
Gigs
DJing
Touring
Main Stage
Multicast

OUTDOOR & INDOOR

**UP TO
1500 PEOPLE**

218 w

For 102 dBA
equivalent*



VERSATILE

Autonomous main stage and multicast

MODULAR

Easily customizable

PLUG'N'PLAY

Embedded DC/AC energy and amplification

HYBRID CHARGE

Solar panels or main

SIMPLIFIED LOGISTICS

Market standards compatible

ACOUSTIC FEATURES

- Full range, stand alone enclosure (compatible subwoofer VTL118)
- Hybrid acoustic loading: LF horn + curved vented enclosure, HF fully horn loaded
- Reinforced 15mm birch plywood
- Stereo (L+R)
- Wide homogeneous covering area
- Textured polyurethan finish

FREQUENCY RESPONSE (+/-3dB)	45-20000Hz
CONTINUOUS POWER HANDLING	2 x 1540W (nominal program power capacity + 3dB)
ACOUSTIC EFFICIENCY	218 W (for 102dBA equivalent*)
MAX SPL	138dB SPL (@1m, pink noise 6dB crest factor)
NOMINAL COVERAGE ANGLE (H° X V° / -6dB)	60° x 40°
TRANSDUCERS	2x VDS115 : 1x neodymium high output 15'' driver 2x MT1 : 1x 2'' compression driver + 2 x bullet 1,25''

INTEGRATED AMPLIFIER & DSP FEATURES

- Patented DUAL ARCHITECTURE POWER SUPPLY technology by PikiP
- Class D amplifier with integrated DSP
- 2 XLR analog input
- SPEAKON per channel - minimum impedance 4ohm each
- Protection over-under voltage
- Protection Peak and RMS limiters customizable
- 4 acoustic presets provided (custom preset option available)
- Fully configurable

OUTPUT POWER (EIAJ 1kHz, 1% THD)	4 channel mode - 4x500Wrms @8ohms 6 channel mode - 6x400Wrms @8ohms 8 channel mode - 8x400Wrms @8ohms
GAIN	26dB
FREQUENCY RESPONSE (+/-3dB)	20Hz - 33kHz @1W, 8ohms
SIGNAL-TO-NOISE RATIO	>113dB
INPUT SENSITIVITY (8 ohms)	1,7 dBU
INPUT IMPEDANCE	10k ohms
THD+N	<0,08 from 0,1W to half power
OPERATING TEMPERATURE	0°C to 40°C / Active fan

ENERGY SYSTEM FEATURES

- Converter - Regulator - Battery MADE IN E.U. / certificate TÜV / ISO 9001
- DC and AC output for external electrical musical device (mixing desks, turntables)
- 3x SCHUKO plugs protected by 30mA RCCB
- State of charge Controller for real time consumption and autonomy monitoring
- Bluetooth Smart Phone connection

AC OUTPUT	1200VA - 2400Wc (230/110V)
DC OUTPUT	48V - 50A max - 100A crête (15 s.)
STORAGE	2400Wh LiFePO4 (option 4800Wh)
AUTONOMY (NO SUN)	20h - full amplifier power 8h - full amplifier power + artists power supply 5h - full amplifier power + artists power supply + lights

RECHARGING FEATURES

PIKIPSTAGE EXO MODEL

- 400Wc Photovoltaic power supply in board / MADE IN E.U. / certificate TÜV / ISO 9001

PIKIPSTAGE LITE MODEL

- 650Wc Photovoltaic power supply weighted by steel structure / MADE IN E.U. / certificate TÜV / ISO 9001
- POWERWIST socket for solar panel charge
- POWERCON socket for main charge
- 2x 10m RADOX 4mm² cable connected by MC4
- Long life battery algorithm (Bulk - Absorption - Floating)

CHARGE	MODEL	SOLAR	MAIN
	EXO 1200 - 2400	6h*	4h
	LITE 1200 - 2400	4h*	4h

* Sunny day in Europe, 46°00'N.

STRUCTURAL FEATURES

PIKIPSTAGE EXO MODEL

- Telescopic structure with locking pin
- Epoxy finish and treated steel exterior
- 4 wheels 100mm / 2 with brakes

DIMENSIONS (LXPXH)mm

Closed : 750 x 610 x 1450
Open : 750 x 610 x 2300

WEIGHT

108kg each

PIKIPSTAGE LITE MODEL

- MT1 stacked onto Woofer VDS115
- 2 steel standing poles
- Ground mounting system (2 solar panels)
- Gravel / Sand / Concrete weighted structure
- Galvanized steel

DIMENSIONS (LXPXH)mm

Stacked : 680x610x1970
Separated : 680x610x950 & 680x370x230

WEIGHT

65kg each (48kg VDS-T / 14kg MT-1) + 80kg solar platform

AEA

- Rack shock proof
- Standard 10U
- 4 wheels (2 equipped with brakes)
- Double handles / reinforced corners / ventilation grille / lockable sliding cover

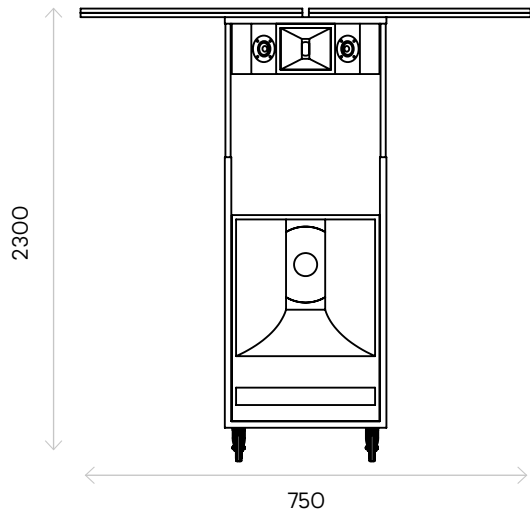
DIMENSIONS (LXPXH)mm

600 x 555 x 805

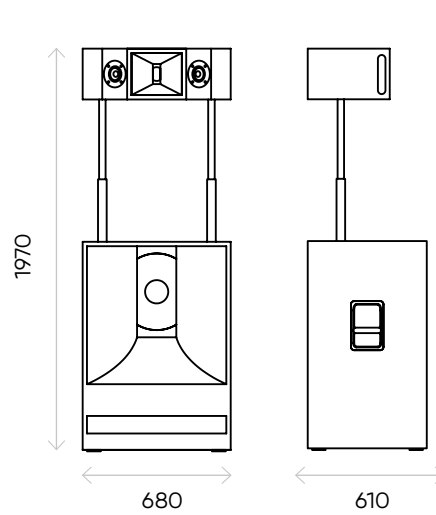
WEIGHT

67kg

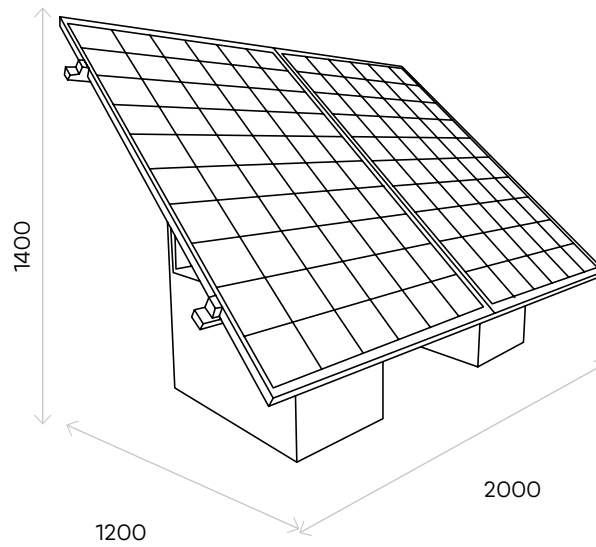
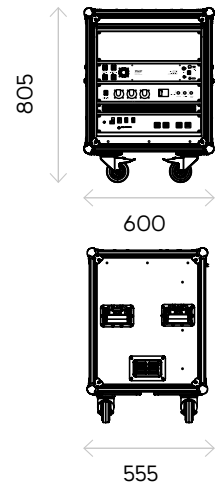
PIKIPSTAGE EXO



PIKIPSTAGE LITE

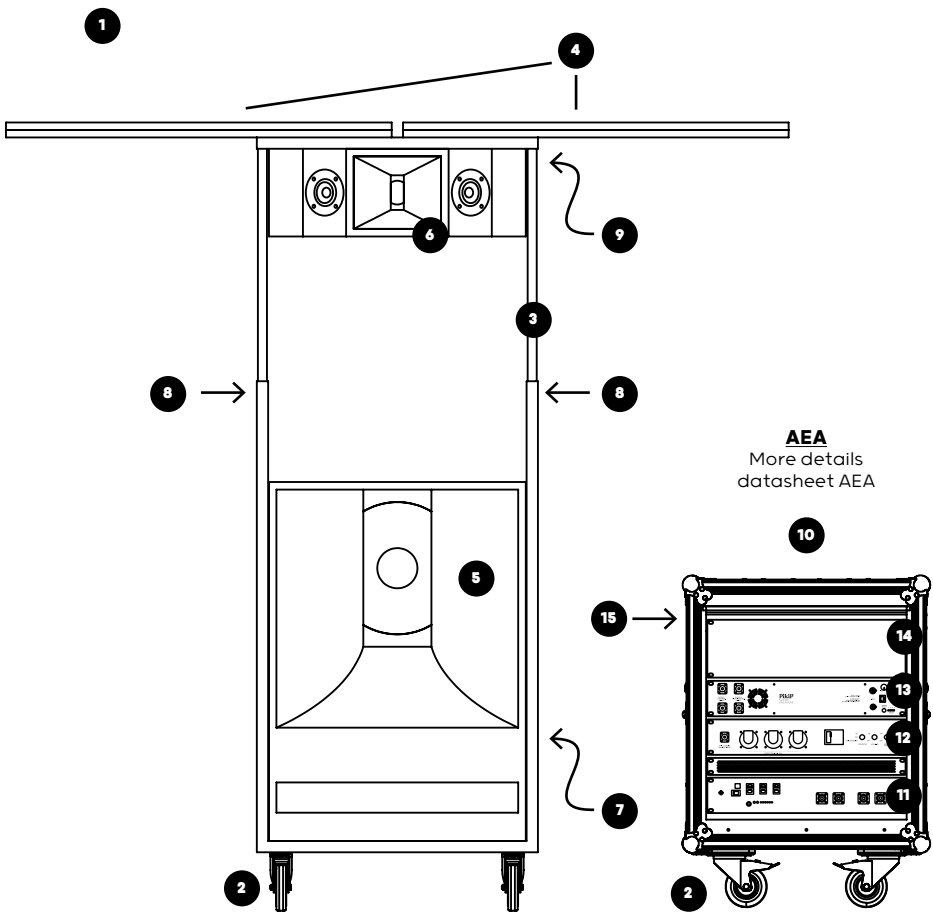


AEA

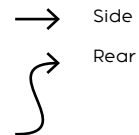


INTERFACE UTILISATION

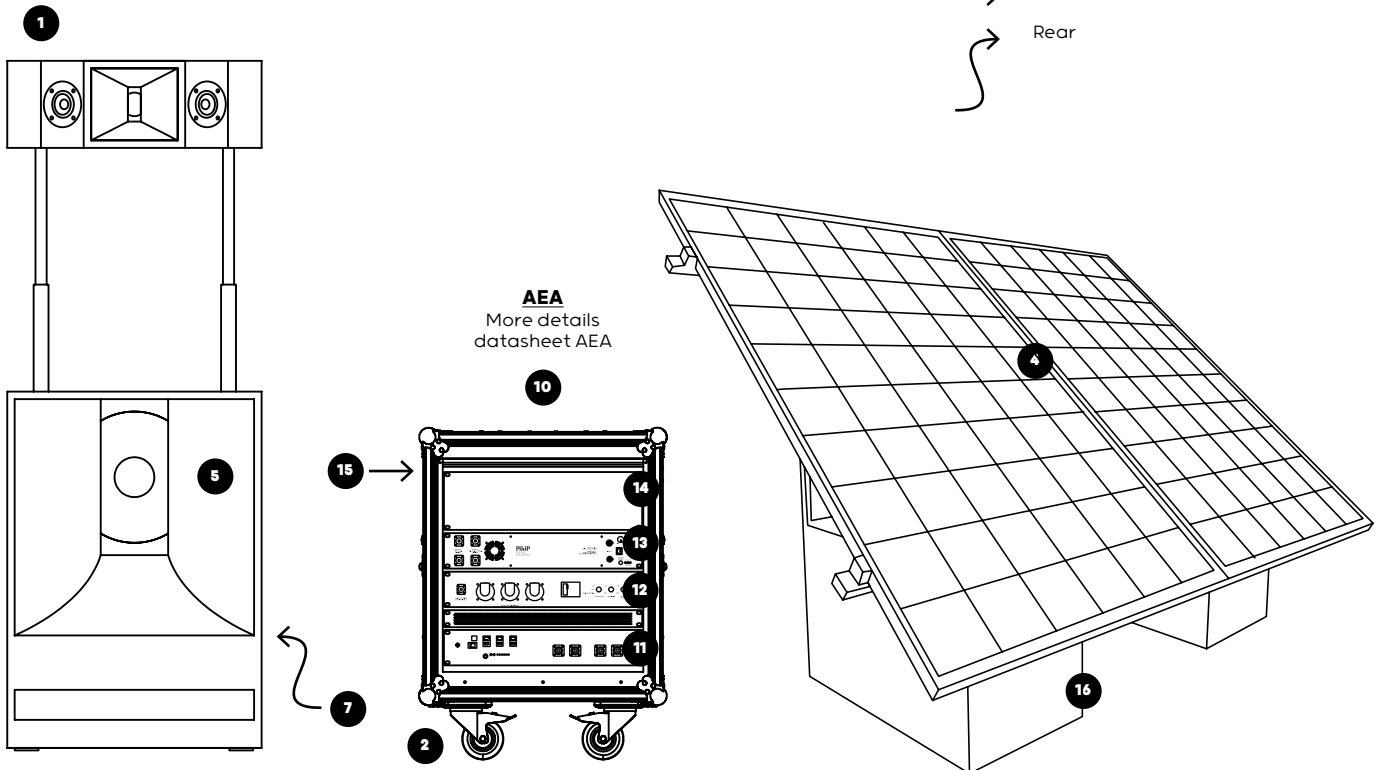
PIKIPSTAGE EXO

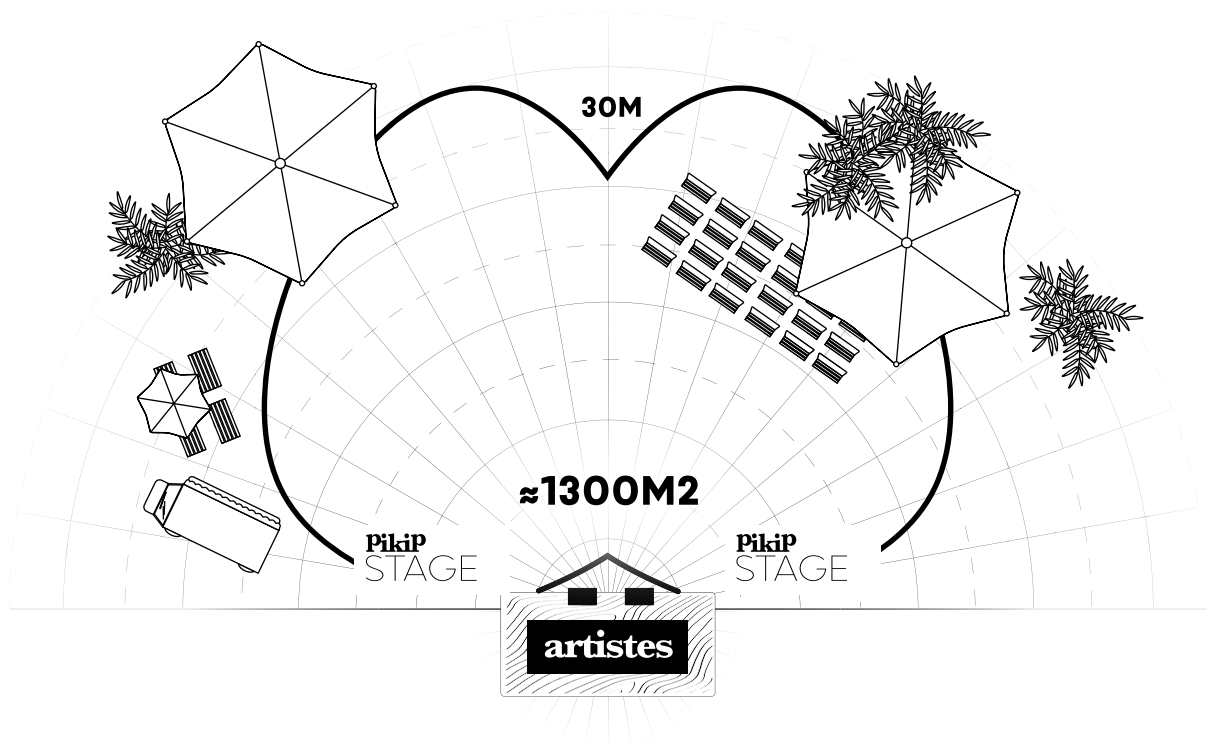


- 1 Column
- 2 Wheels
- 3 Telescopic Exoskeleton (EXO)
- 4 Solar pannels x2
- 5 Low frequency transducer (VDS-T)
- 6 Medium & high frequency transducer (MT-1)
- 7 SPEAKON INPUT
- 8 Locking pins
- 9 Solar panel plug
- 10 AEA module (cf datasheet AEA)
- 11 Battery drawer 2U
- 12 Energy drawer 2U
- 13 Amplifier drawer 2U
- 14 Free drawer 3U
- 15 Energy monitoring
- 16 Weighted structure



PIKIPSTAGE LITE





ACOUSTIC EFFICIENCY LABEL

*The figure given represents the electrical power dissipated by the speaker to generate over its bandwidth a sound level equivalent to 102 dBA with a pink noise input. For calculation purposes, the speaker is considered being part of an equalized system with absolutely flat response from 20 Hz to 20 kHz.

The calculation method is linear and does not take into account high power non-linear phenomena. Calculation details are available in the paper *Quantifying Loudspeakers' Power Consumption*, published in the AES journal (July/August 2022, Vol 70 no 7/8).

ACOUSTIC EFFICIENCY LABEL

PASSIVE SPEAKERS

A +	< 150 W
A	150 à 300 W
B	301 à 500 W
C	501 à 1000 W
D	1001 à 1500 W
E	>1500 W

FOR 102 dBA EQUIVALENT*

*The figure given represents the electrical power dissipated by the speaker to generate over its bandwidth a sound level equivalent to 102 dBA with a pink noise input. For calculation purposes, the speaker is considered being part of an equalized system with absolutely flat response from 20 Hz to 20 kHz.

The calculation method is linear and does not take into account high power non-linear phenomena. Calculation details are available in the paper *Quantifying Loudspeakers' Power Consumption*, published in the AES journal (July/August 2022, Vol 70 no 7/8).