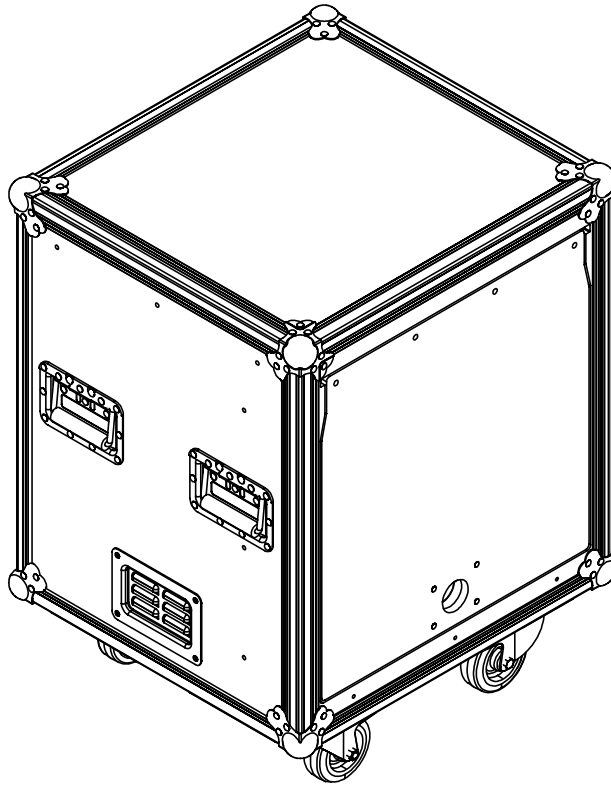

MODULE AEA

DATASHEET



AEA
Amplification
Énergie
Autonomy

VERSATILE

Makes your installations self-sufficient

AUTONOMOUS TOURING AMPLIFIER & DSP

Total independence

AC GENERATOR

230V output for any type of device

HYBRID CHARGE

Solar panels or main

MARKET STANDARDS COMPATIBLE

Simplified logistics

INTEGRATED AMPLIFIER & DSP FEATURES

- Green Audio Power Technology by POWERSOFT
- Class D amplifier with integrated DSP
- 2 XLR analog inputs
- 2 SPEAKON per channel - minimum impedance 4ohm per channel
- Protection over-under voltage
- Protection Peak and RMS limiters customizable
- 4 acoustic presets provided (custom preset option available)
- Fully configurable with ArmoniaPlus

| | |
|---|---|
| OUTPUT POWER (EIAJ 1kHz, 1% THD) | 2 channel mode - 2x400Wrms @8ohms (brigeable) 4 channel mode - 4x400Wrms @8ohms (brigeable) 6 channel mode - 6x400Wrms @8ohms (brigeable) |
| GAIN | 26dB |
| FREQUENCY RESPONSE (+/-3dB) | 20Hz - 33kHz @1W, 8ohms |
| SIGNAL-TO-NOISE RATIO | >113dB |
| INPUT SENSITIVITY (8 ohms) | 1,7 dBu |
| INPUT IMPEDANCE | 10k ohms |
| THD+N | > 0,08 from 0,1W to half power |
| OPERATING TEMPERATURE | 0°C to 40°C / Active fan |

ENERGY SYSTEM FEATURES

- Converter - Regulator - Battery MADE IN E.U. / certificate TÜV / ISO 9001
- DC and AC output for external electrical musical device (mixing desks, turntables)
- 3x SCHUKO plugs protected by 30mA DDR
- State of charge Controller for real time consumption and autonomy monitoring
- Bluetooth Smart Phone connection

| | |
|------------------|---|
| AC OUTPUT | 500VA - 900Wc or 1200VA - 2400Wc (230/110V) |
| DC OUTPUT | 48V - 50 A max / 100A crête (15 s.) ou 100A max or 200A crête (15 s.) |
| STORAGE | 2400Wh LiFePO4 |

RECHARGING FEATURES

- POWERWIST socket for solar pannel charge
- POWERCON socket for main charge
- Long life battery algorithm (Bulk - Absorption - Floating)

| CHARGE | VERSION | 2 PV | 4 PV | MAIN |
|--------|-------------|------|------|------|
| | 500 - 2400 | 4h* | 2h* | 8h |
| | 1200 - 2400 | 4h* | 2h* | 4h |
| | 500 - 4800 | 8h* | 4h* | 16h |
| | 1200 - 4800 | 8h* | 4h* | 8h |

*Sunny day in Europe, 46°00'N.

STRUCTURE

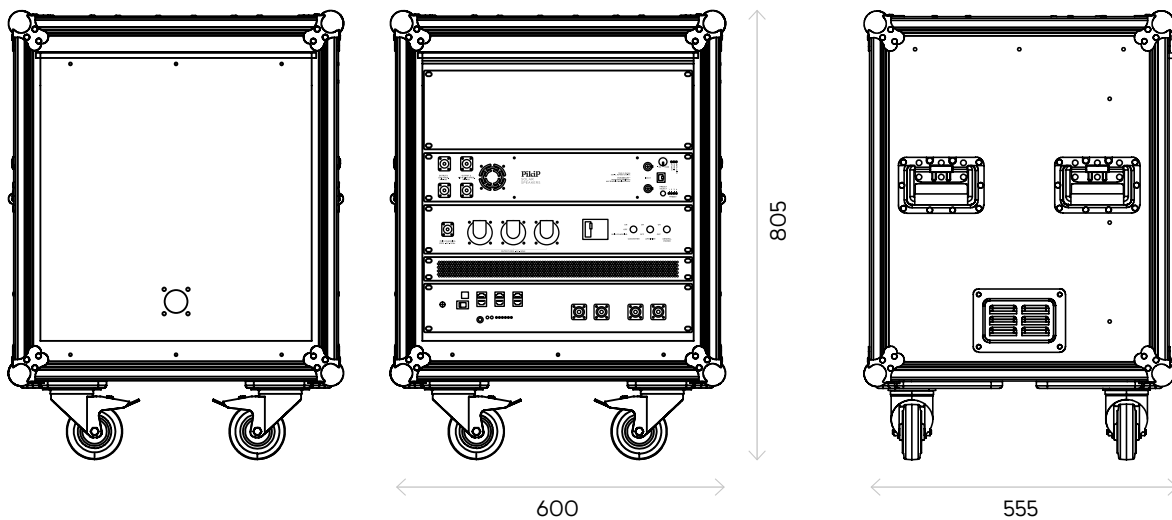
- Rack shock proof
- Standard 8U to 12U
- 4 wheels (2 equipped with brakes)
- Double handles / reinforced corners / ventilation grille / lockable sliding cover

DIMENSIONS (LXPXH)mm

600 x 555 x 805

WEIGHT

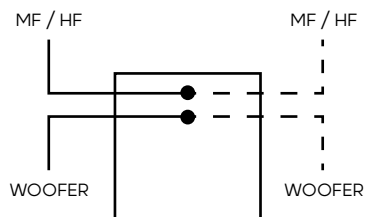
67kg ou 95kg



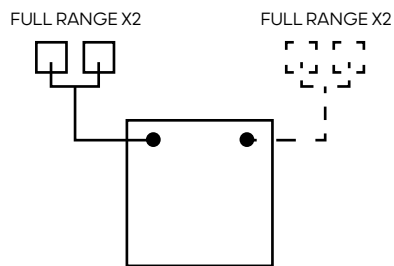
COMPATIBILITY

2 CHANNEL MODE

8ohms



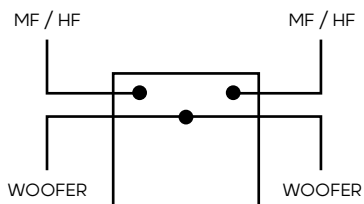
MONO



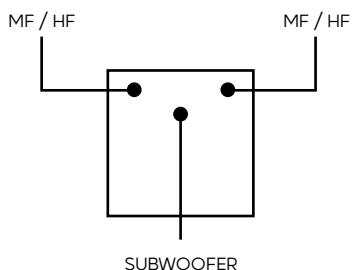
MULTICAST

3 CHANNEL MODE

1x800Wrms + 2x400Wrms @8ohms



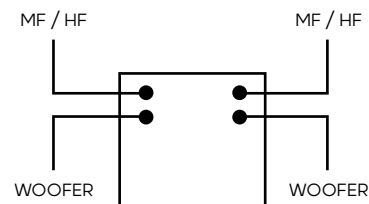
STEREO + WOOFERS MONO



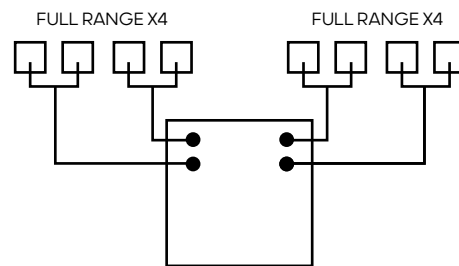
STEREO + SUBWOOFER

4 CHANNEL MODE

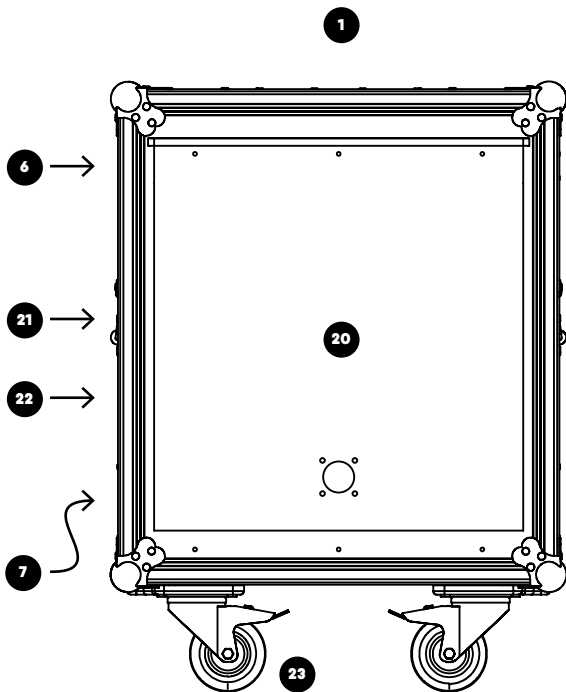
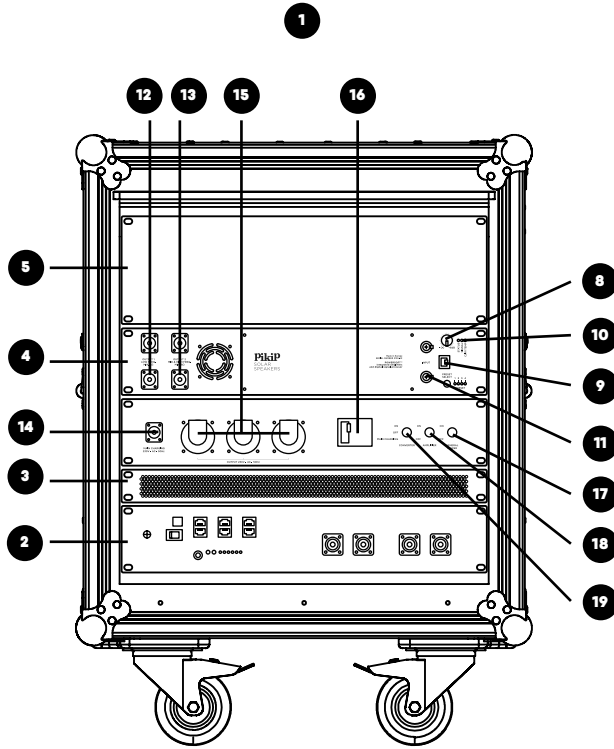
4x400Wrms @8ohms



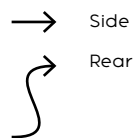
FULL STEREO



MULTICAST XL



- 1 AEA
- 2 Battery drawer 2U
- 3 Energy drawer 2U
- 4 Amplifier drawer 2U
- 5 Free drawer
- 6 Energy monitoring
- 7 Solar connectors x2
- 8 Main level control
- 9 USB plug (DSP control)
- 10 Lights (Status / temp / clip)
- 11 XLR IN x2
- 12 SPEAKON OUT LF x2
- 13 SPEAKON OUT HF x2
- 14 POWERCON INPUT (main charging)
- 15 AC OUT SCHUKO (type E) x3
- 16 30mA RCCB
- 17 General switch
- 18 Amplifier switch
- 19 Converter and charger switch
- 20 Lockable sliding door
- 21 Handles
- 22 Ventilation grille
- 23 Wheels



Contact@pikip-solarspeakers.com

91 av Edouard Vaillant
93500 Pantin