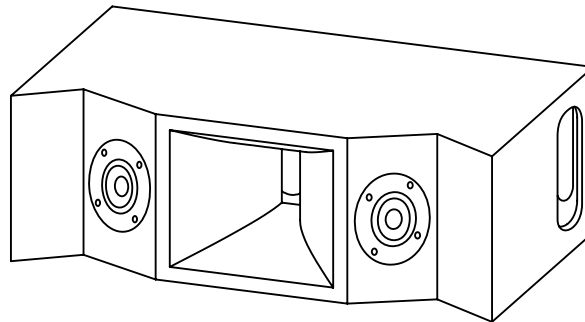


---

**MODULE MT-1**

**DATASHEET**



**MT-1**

**PLAYS DOWN TO 500HZ**  
Easy crossover to MF speaker

**CONSTANT DIRECTIVITY HORN LOADING**  
60° horizontal directivity

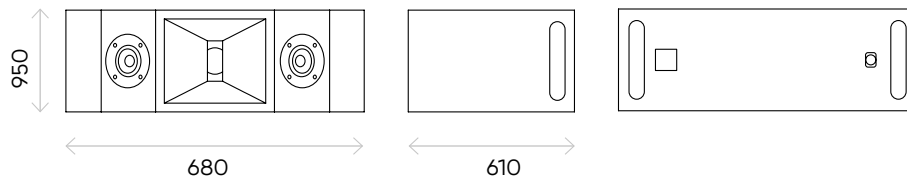
**LOW DISTORTION AND VERY GOOD INTELLIGIBILITY**  
2" compression driver

**IDEAL FOR TOURING**  
Handles, rigging system, speaker stand ready

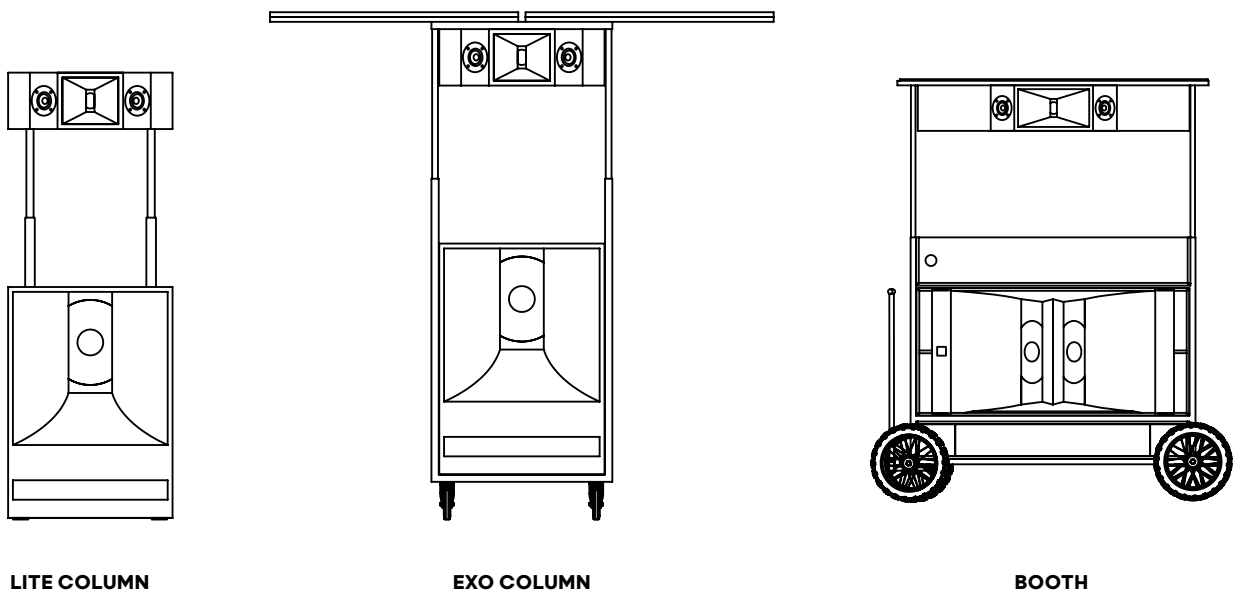
## ACOUSTIC FEATURE

- Mid-Top and Tweeter - Fully horn loaded
- Dimension 680x370x230mm (LxDxH)
- Reinforced 9mm birch plywood
- marine stain varnish
- double speaker stand adaptor, handles, M6 thread for rigging

<b>FREQUENCY RESPONSE (+/- -3dB)</b>	500-20000 Hz
<b>CONTINUOUS POWER HANDLING (NOMINAL PROGRAM POWER CAPACITY + 3dB)</b>	380W
<b>SENSITIVITY (1W@1M)</b>	110dB SPL
<b>IMPÉDANCE</b>	8ohms
<b>TRANSDUCERS</b>	1 x compression drivers 2'' + 2 x bullet tweeter 1,25''
<b>MAX SPL (@1M, PINK NOISE 6DB CREST FACTOR)</b>	134dB SPL
<b>NOMINAL COVERAGE ANGLE (H° X V°) -6 dB</b>	60x40°
<b>DIMENSIONS (LXPXH)mm</b>	680x370x230
<b>WEIGHT</b>	18kg



## COMPATIBILITY



**Contact@pikip-solarspeakers.com**

91 av Edouard Vaillant  
93500 Pantin

3